



AUTOMATIC PET BOTTLES BLOWERS

The CL series presents automatic PET bottle blowers. These are simple constructions, easy to operate. A significant advantage is that the machine does not need the additional devices for bottle orientation. Directly after blowing bottles are placed in the air conveyor by using manipulator and transported to subsequent parts of the production line. This follows from usage of closing unit with toggle system. The closing unit has a system of mould clamping. This solution protects against the opening and minimizes the seam on the surface of the bottle, which makes it more aesthetic. The CL machines fully satisfy the needs of manufacturers who demand space saving and efficiency at the same time.



MAIN PARAMETERS

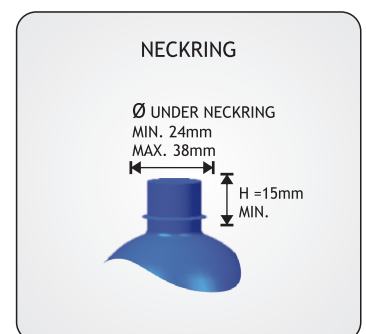
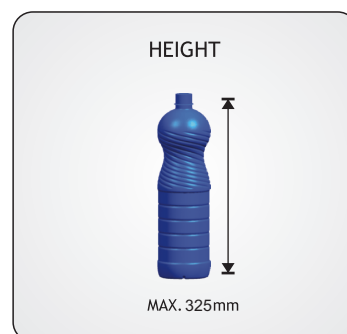
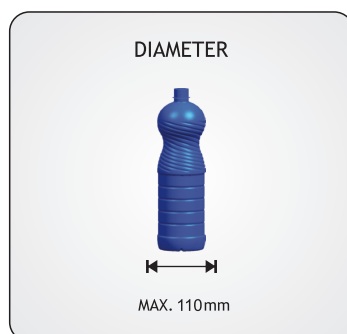
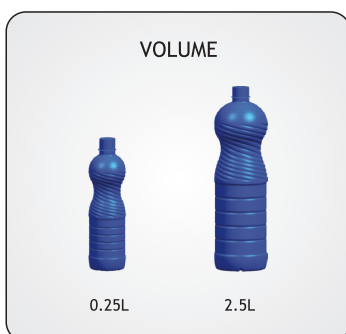
	CL 200	CL 400
Blowing pressure	25 bar	25 bar
Bottle size	0.25 L – 2.5 L	0.25 L – 2.5 L
Output* 1.5 L	up to 2000 BPH	up to 4000 BPH
Number of cavities	2	4
Power installed	35.0 kW	70.0 kW
Working air quantity (10 bar)	1.0 m ³ /min	2.0 m ³ /min
Blowing air quantity (25 bar)	1.73 m ³ /min	3.46 m ³ /min
Steering voltage	24V/DC	24V/DC
Mould material	FORTAL	FORTAL



KEY BENEFITS

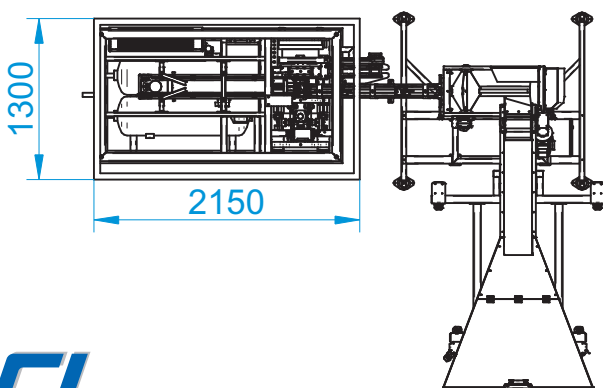
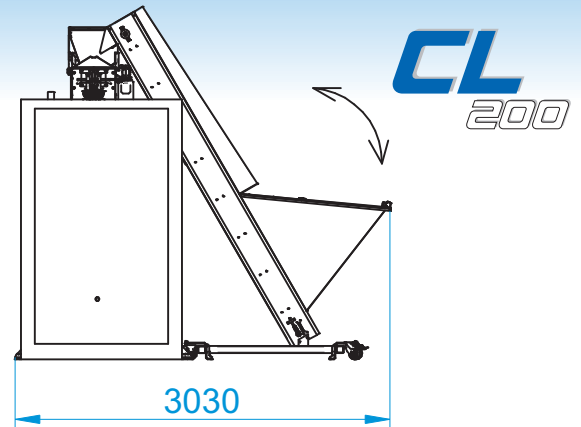
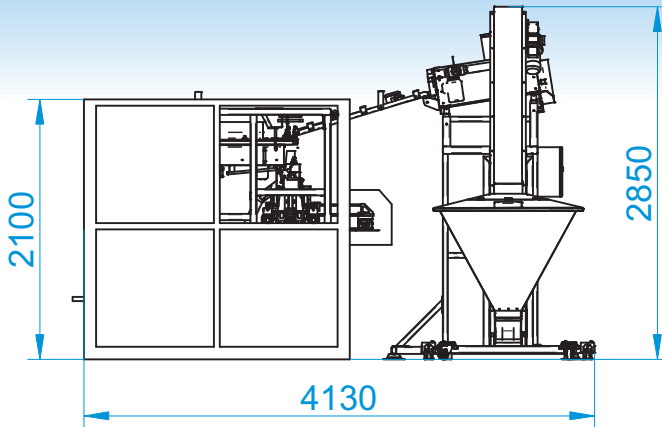
- no devices for bottle orientation needed
- one pneumatic cylinder responsible for work of the closing unit
- space saving
- closing unit with toggle system
- simple construction, easy operation and maintenance
- gravitational feeding preforms to the blow mold
- easy change-over of bottle size and types of neckrings
- low energy consumption and exploding costs
- small sizes and modular construction

BOTTLE DIMENSIONS





AUTOMATIC PET BOTTLES BLOWERS



CL
400

OPTIONAL EQUIPMENT

POWERWIZARD

- automation of machines operation
- precise regulation of temperature
- reduction of energy costs
- less wasted preforms

PowerWizard concept is highly innovative solution designed to ensure a stable temperature of the preforms during reheating process. This system allows to eliminate disruptions resulting from fluctuations of air temperature and power supply voltage. Pyrometric temperature Controller – PowerWizard – precisely and automatically readjust the amount of heat radiated towards preforms by comparing actual preform temperature and the set value (nominal). Closed loop temperature control guarantees stable quality and protects the production process against environmental disruptions.

