

# HS

## AUTOMATIC PET BOTTLES BLOWERS

**smf**  
GERMANY



CHAIN DRIVEN OVEN

The HS series meets all requirements for cost - effective production of PET bottles at the highest technological level. PET bottles of up to 3.0 liters can be produced. Bottles are manufactured precisely according to their specified dimensions, have uniform wall thicknesses and are characterized by a high degree of stability. The HS linear blow moulding machine has a compact layout and small overall size.

### MAIN PARAMETERS

	HS 3000	HS 6000
Blowing pressure	25BAR	25BAR
Bottle size	0.25L - 3.0L	0.25L - 3.0L
Output*	up to 3000BPH - 1.0L up to 2500BPH - 1.5L	up to 6000BPH - 1.0L up to 5000BPH - 1.5L
Power installed	36kW	69KW
Working air quantity (10BAR)	1.3 m <sup>3</sup> /min	2.6 m <sup>3</sup> /min
Blowing air quantity (25BAR)	2.2 m <sup>3</sup> /min	4.4 m <sup>3</sup> /min
Number of cavities	2	4
Steering voltage	24V /DC	24V /DC
Mould material	FORTAL	FORTAL
Pneumatics	FESTO	FESTO

### KEY BENEFITS

- perfect machine for untypical preforms and neckrings
- modular setup possible
- simple, robust and durable operation
- low energy consumption
- fast decompression increases efficiency
- short decompression time allows more time for blowing cycle
- compact machine dimensions
- high efficiency infrared oven
- easy change-over of bottle size and types of neckrings
- pyrometric temperature measurement - Power Wizard



### OPTIONAL EQUIPMENT

**POWER**  
*Wizard™*

- automation of machines operation
- precise regulation of temperature
- reduction of energy costs
- less wasted preforms

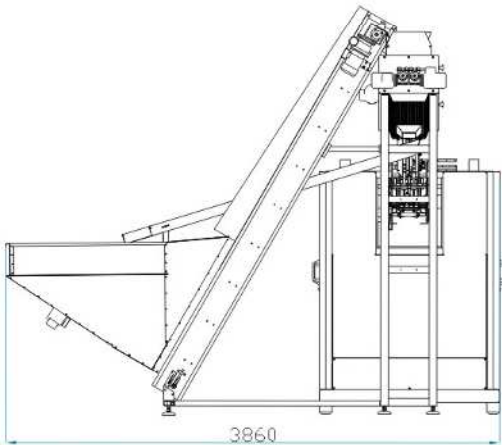
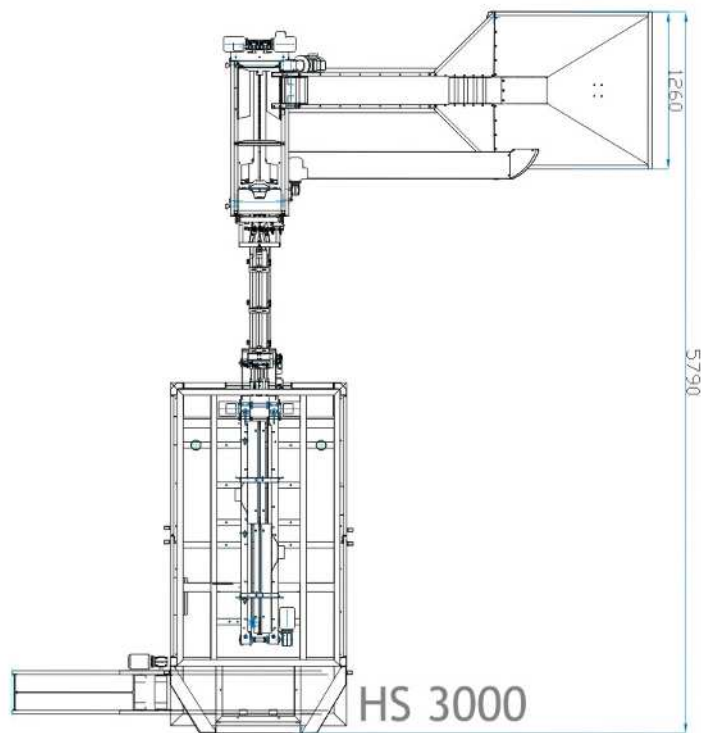
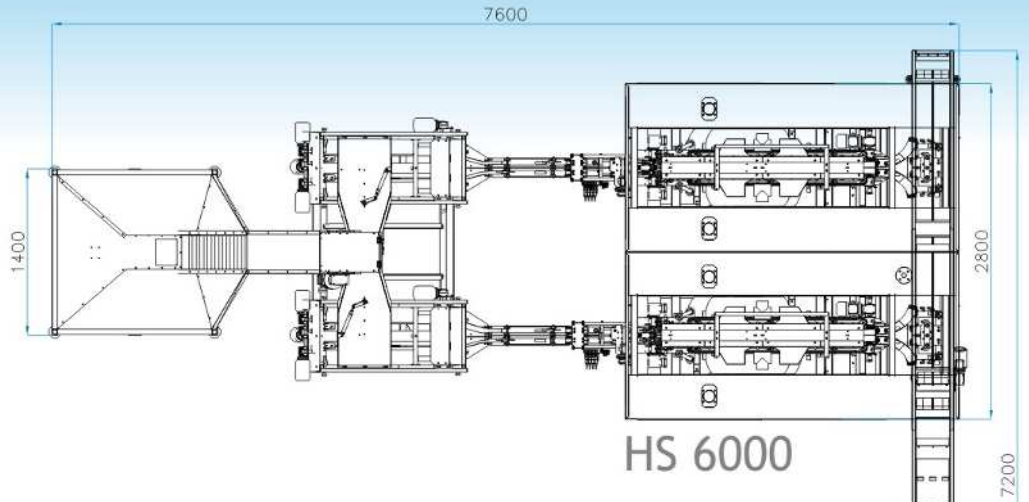
PowerWizard™ concept is highly innovative solution designed to ensure a stable temperature of the preforms during reheating process. This system allows to eliminate disruptions resulting from fluctuations of air temperature and power supply voltage. Pyrometric Temperature Controller - PowerWizard™ - precisely and automatically readjusts the amount of heat radiated towards preforms by comparing actual preform temperature and the set value (nominal). Closed loop temperature control guarantees stable quality and protects the production process against environmental disruptions.

# HS

## AUTOMATIC PET BOTTLES BLOWERS

# smf

GERMANY



### BOTTLE DIMENSIONS

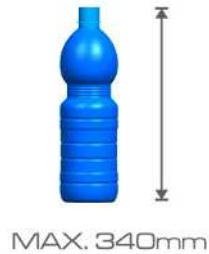
VOLUME



DIAMETER



HEIGHT



NECKRING

