

STRATOS

AUTOMATIC BLOWERS FOR 5 - 10 - 20L BOTTLES

smf
GERMANY

KEY BENEFITS

- orientated bottles are fed directly to plate conveyor
- low energy consumption
- blowing pressure 25BAR
- simple, robust machines - no complicated hydraulics
- fully automatic machine with user friendly interface
- compact size of the installation
- wide spectrum of bottles sizes
from 3.0L up to 20L
- fast mould changeover



NOVEL TECHNOLOGY IN STRATOS electric

- STRETCHING BARS WITH SERVOMOTORS PROVIDES FLUENT REGULATION OF WORKING SPEED AND STRENGTH
- CLOSING UNIT WITH TOGGLE SYSTEM
- AUTOMATIC LUBRICATION SYSTEM
- LINEAR BEARINGS
- LOW AIR CONSUMPTION

MAIN PARAMETERS

	STRATOS ₁₀	STRATOS ₁₀ electric	STRATOS ₂₀ electric
Blowing pressure	25BAR	25BAR	25BAR
Bottle size	3.0L - 10.0L	3.0L - 10.0L	12.0 - 20.0L
Output	up to 1500 BPH (5L) up to 1100 BPH (10L)	up to 2000 BPH (5L)	up to 500 BPH (5GAL.)
Working air quantity (10BAR)	4.93 m ³ /min	1.6 m ³ /min	1.66 m ³ /min
Blowing air quantity (25BAR)	4.92 m ³ /min	6.0 m ³ /min	4.64 m ³ /min
Number of cavities	2	2	1
Power installed	83kW	125kW	125kW
Power supply (must be stable)	400V +/- 5%	400V +/- 5%	400V +/- 5%
Mould material	FORTAL	FORTAL	FORTAL
Pneumatics	FESTO	FESTO	FESTO
Servomotors		mitsubishi	mitsubishi

OPTIONAL EQUIPMENT

POWER
Wizard™

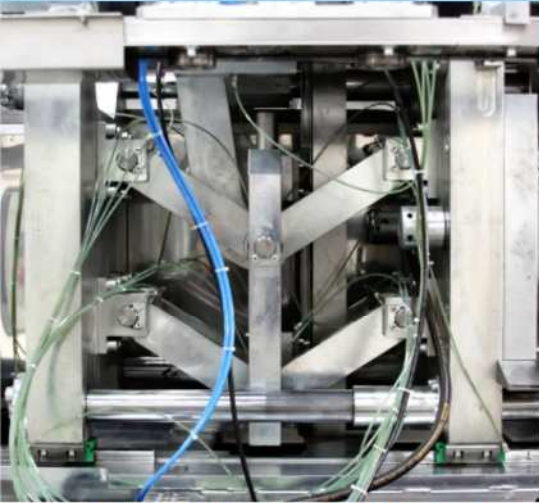
- automation of machines operation
- precise regulation of temperature
- reduction of energy costs
- less wasted preforms

PowerWizard™ concept is highly innovative solution designed to ensure a stable temperature of the preforms during reheating process. This system allows to eliminate disruptions resulting from fluctuations of air temperature and power supply voltage. Pyrometric Temperature Controller - PowerWizard™ - precisely and automatically readjusts the amount of heat radiated towards preforms by comparing actual preform temperature and the set value (nominal). Closed loop temperature control guarantees stable quality and protects the production process against environmental disruptions.

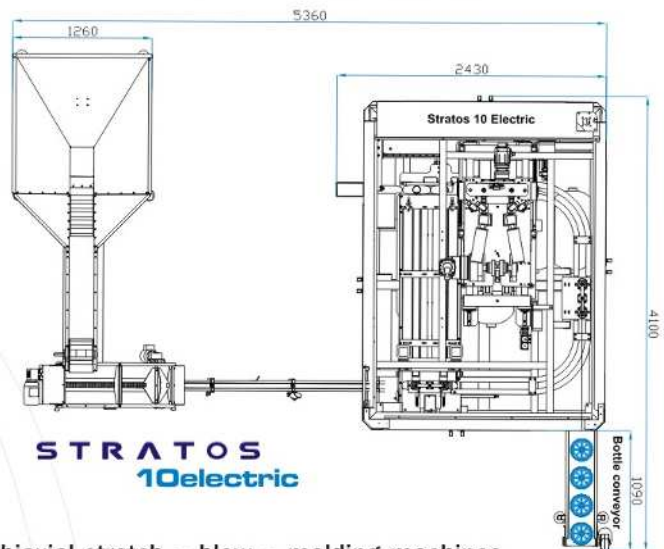
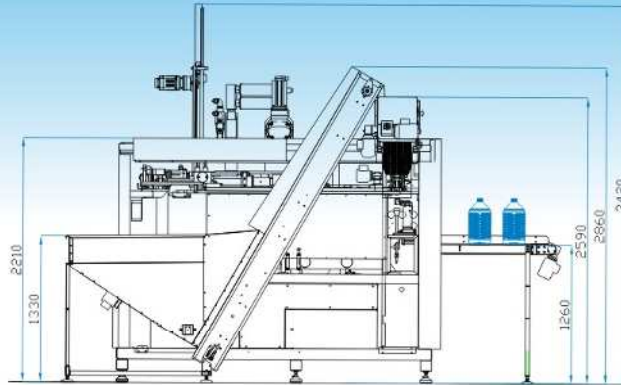
STRATOS

AUTOMATIC BLOWERS FOR 5 - 10 - 20L BOTTLES

smf
GERMANY



closing unit with toggle system



STRATOS
10electric

BOTTLE DIMENSIONS

DIAMETER UNDER NECKRING
MIN. 44.5mm MAX. 45.5mm
NECK HEIGHT MIN. H = 17.5mm



DIAMETER MAX. 215mm

STRATOS is a line of biaxial stretch - blow - molding machines of reheat type which can produce high quality large PET bottles or jars. Machines are designed for easy operation and simple maintenance. The mechanical operation, which is completely electrical, leaves more time available for stretch - blow - molding process. The electrical stretching gives precision and flexibility to the process and guarantees full repeatability.

STRATOS
20electric

