

TC-8

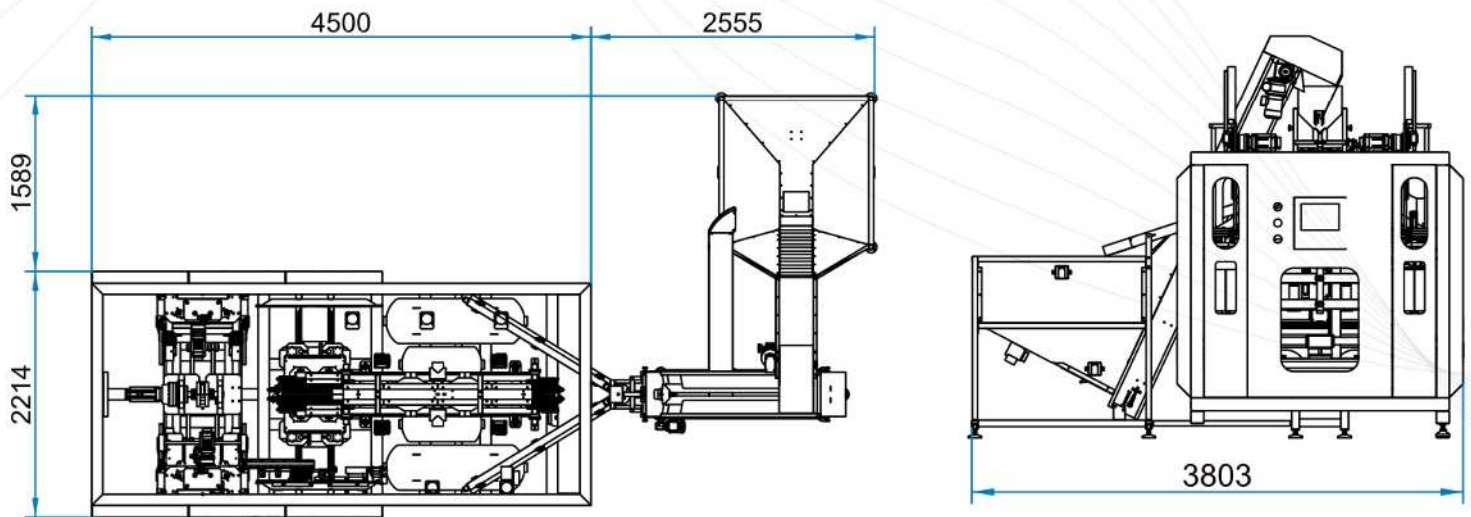
AUTOMATIC PET BOTTLES BLOWER

smf
GERMANY

In TC - 8 is used high efficient closing unit with toggle system, which is based on linear bearings. This enables continuous and reliable machines work. Automatic lubrication system makes possible quick and precise application of grease dose, which reduces machines servicing time to minimum. Implemented solutions enable continuous machine work with productivity 12 000 BPH (1.5L). Usage of servomotors makes that work of closing unit is significantly faster. It gives possibility for ideal and easy control over closing unit in each position. With each machines start stretching bar drove by servomotors is automatically placed into starting position. Machines operator has possibility to control working speed and strength of stretching bars. Working safety of machine is achieved thanks to limits entered into program. Servomotor, which regulate driving and handling of preforms and bottles, allows fast and controlled machines work.



TC - 8 is equipped in colour touch screen with user - friendly menu. It is possible to store all parameters for different preform and bottle types as recipes.



OPTIONAL EQUIPMENT

POWER
Wizard™

- automation of machines operation
- precise regulation of temperature
- reduction of energy costs
- less wasted preforms

PowerWizard™ concept is highly innovative solution designed to ensure a stable temperature of the preforms during reheating process. This system allows to eliminate disruptions resulting from fluctuations of air temperature and power supply voltage. Pyrometric Temperature Controller - PowerWizard™ - precisely and automatically readjusts the amount of heat radiated towards preforms by comparing actual preform temperature and the set value (nominal). Closed loop temperature control guarantees stable quality and protects the production process against environmental disruptions.

TC-8

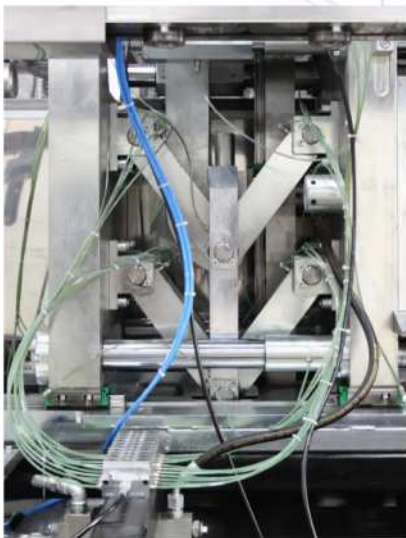
AUTOMATIC PET BOTTLES BLOWER

smf
GERMANY

The TC - 8 is fast, reliable machine. Its construction is based on innovative, but proven technology. It is a perfect solution for manufacturers, who needs blowing machine with high efficiency in continuous production.

KEY BENEFITS

- high efficiency 12 000 BPH (1.5L)
- modular construction
- exit bottles in line directly to air conveyor
- low energy consumption
- simple, robust and durable operation
- usage of servomotors
- innovative solutions
- failure free
- easy change-over of bottle size and types of neckrings
- POWER WIZARD™



TC - 8 AUTOMATIC PET BOTTLE BLOWER

Nominal output with 1.5 Liter Bottle 12 000BPH

MACHINE FEATURES

Pitch between preform in the oven	50,8 mm
Number of heating moduls	4
Number of heating zone per modul	1+1 Neck + 6
Mold cavities	4+4
Pitch between cavities in the mold	140 mm
Mold closing stroke	160 mm
Stretching stroke	400 mm

CONSUMPTIONS

Heating capacity	80 kW
Cooling oven motor power	1,5 kW
Mold closing motor	5 kW
Stretching motors	2x1.5 kW
Preform manipulators motor	1,5 kW
Preform chain motor	1 kW
Grippers take out bottles motors	2x1 kW
Low pressure air consuption at 7 bars	140 Nm ³ /h
High pressure air consuption at 25 bars	450 Nm ³ /h
High pressure air consuption at 35 bars	630 Nm ³ /h

BOTTLE DIMENSIONS

