

HL 3000

AUTOMATIC PET BOTTLES BLOWER

smf
GERMANY



HL is the series of highly efficient, space saving and fully automatic linear PET stretch blow moulding machines. HL machines design is focused on minimization of footprint and cost effective production of various shapes of PET bottles. It is equipped in very innovative preform heating system, that makes the machine shorter and reduces energy consumption. Ready bottle are orientated directly on the exit conveyor that can be easily connected with air conveyor. There is no need to use any additional bottle orientating machines – again space saving solution.

Modular construction makes the HL machines series very flexible and enables smooth increase of the bottles production output adapted to the customer current needs.

HL machines fulfill all the requirements of customers that expect high quality of the produced PET bottles, space saving solutions and minimized costs per one bottle.

MAIN PARAMETERS

HL
3000

| | |
|---------------------------|----------------|
| Blowing pressure | 25 bar |
| Bottle size | up to 1.5 L |
| Output 1.5 L | up to 1800 BPH |
| Number of cavities | 2 |
| Power installed | 45.0 kW |
| Steering voltage | 24V/DC |
| Mould material | FORTAL |

KEY ADVANTAGES

- Compact size – space saving solution
- Innovative preform heating system – low energy consumption
- Ready to transport orientated bottles on the exit of closing unit
- Central lubrication system – minimized machine stops and extended machine lifetime
- Preform transport system based on special pins – elimination of preforms stuck inside the oven
- High bottle quality with air blowing pressure only 25 bars – energy saving solution
- Cost effective – minimized unit production cost

BOTTLE DIMENTIONS

VOLUME



0.25L

1.5 L

DIAMETER



max. 90 mm

HEIGHT



max. 280 mm

NECKRING

Ø UNDER NECKRING

MAX. 42 mm

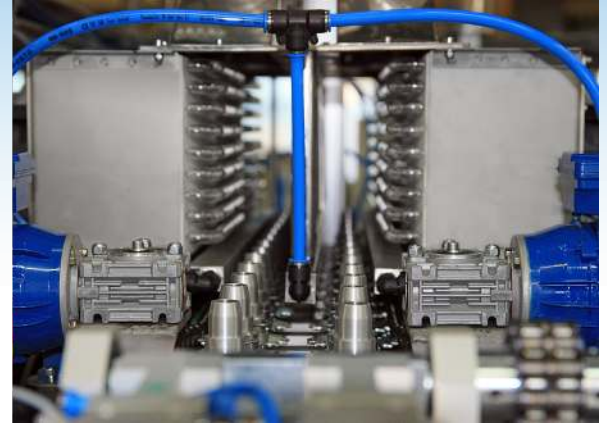
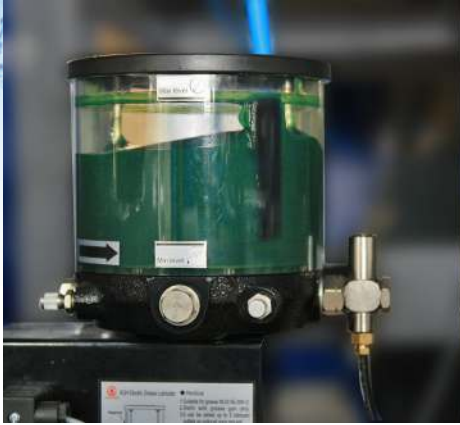
H = 15mm
MIN.



HL 3000

smf
GERMANY

AUTOMATIC PET BOTTLES BLOWER



CENTRAL LUBRICATION SYSTEM

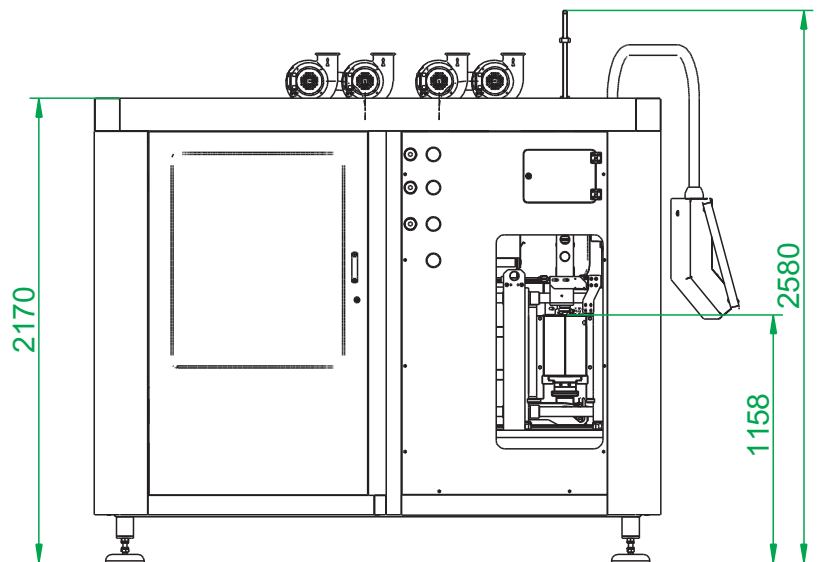
Central lubrication system installed in HL machines allows easy, fast and precise application of lubricant doses what reduces to minimum unnecessary stops of the machine and service time. Another advantage is the preform transport system based on specially designed pins that protect against preform holdups in the oven.

OPTIONAL EQUIPMENT

POWERWIZARD

- automation of machines operation
- precise regulation of temperature
- reduction of energy costs
- less wasted preforms

PowerWizard concept is highly innovative solution designed to ensure a stable temperature of the preforms during reheating process. This system allows to eliminate disruptions resulting from fluctuations of air temperature and power supply voltage. Pyrometric temperature Controller – PowerWizard – precisely and automatically readjust the amount of heat radiated towards preforms by comparing actual preform temperature and the set value (nominal). Closed loop temperature control guarantees stable quality and protects the production process against environmental disruptions.



LAYOUT OF HL 3000

